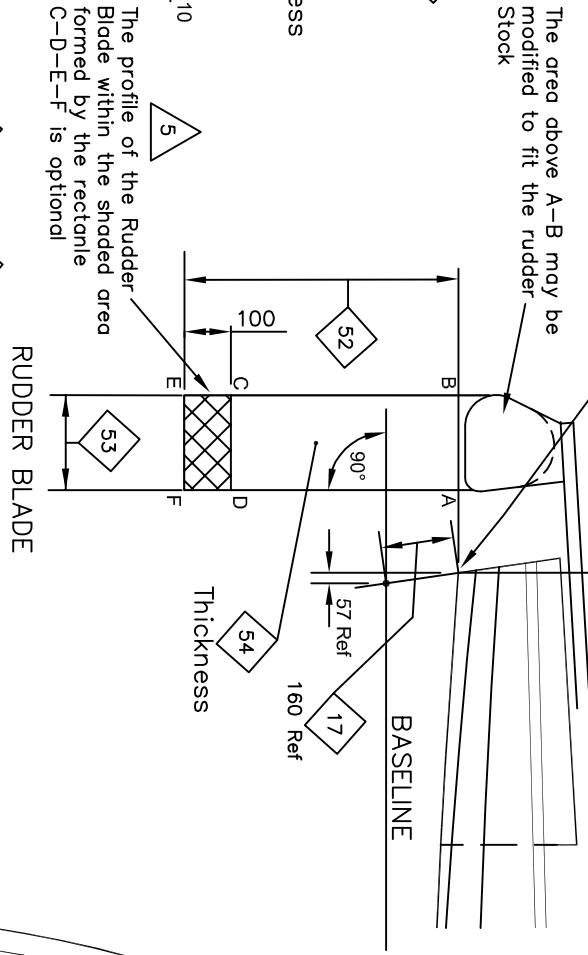
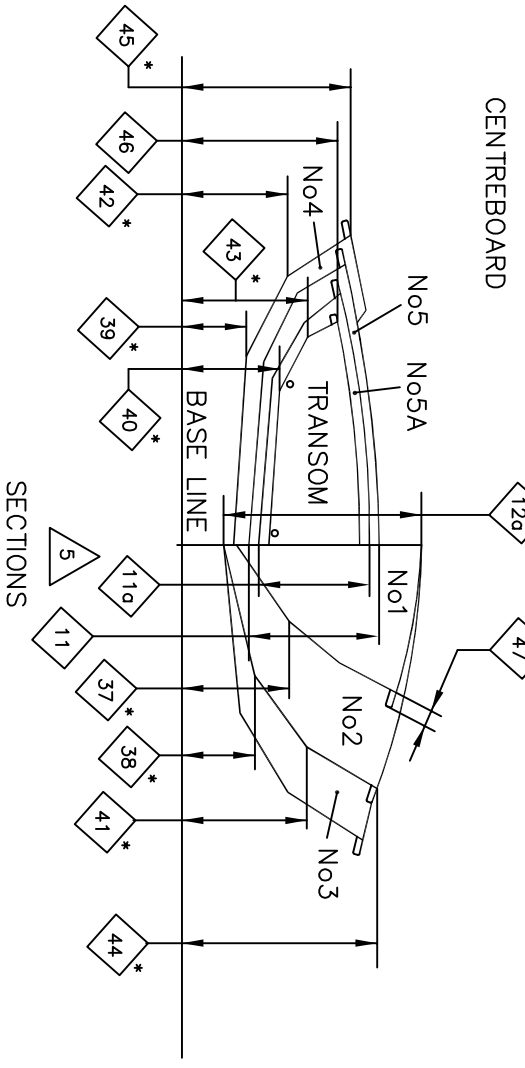
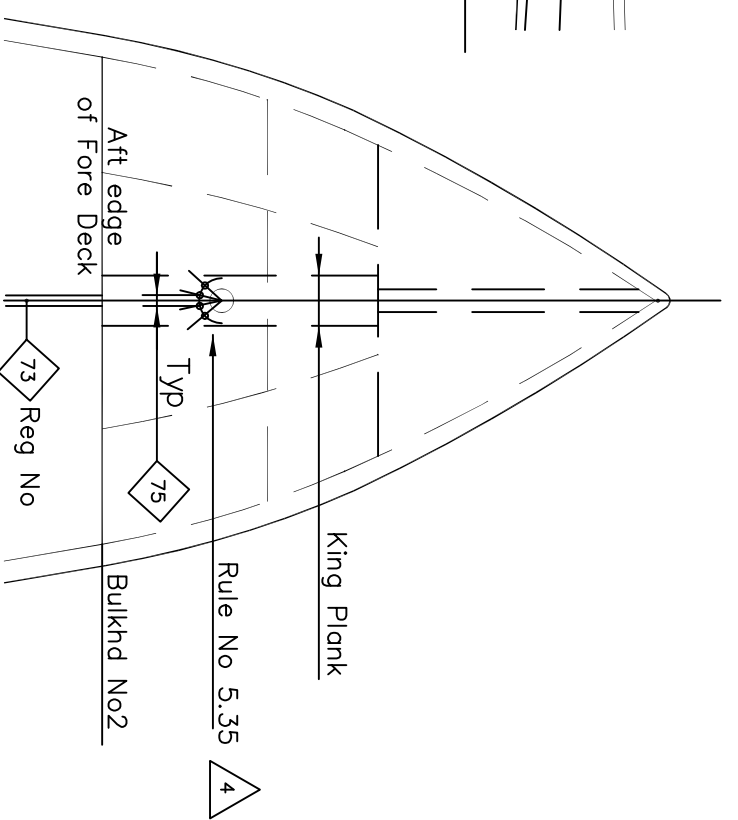


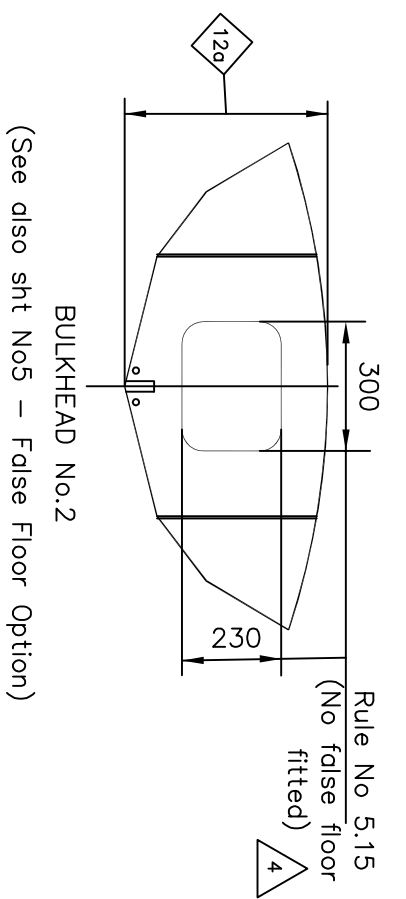
Intersection of rear face of Transom and Keel Line



RUDDER BLADE



SECTIONS



NOTE
Measurements shown with an Asterisk are taken at points measured along the outside of the skin on the intersection of the hull panels (chine).