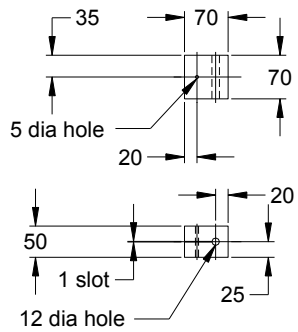
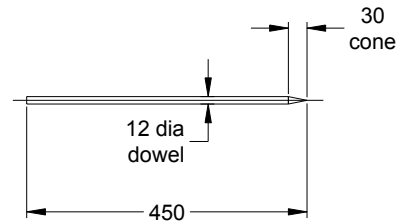


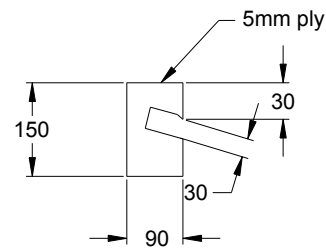
MEASURING BEAM



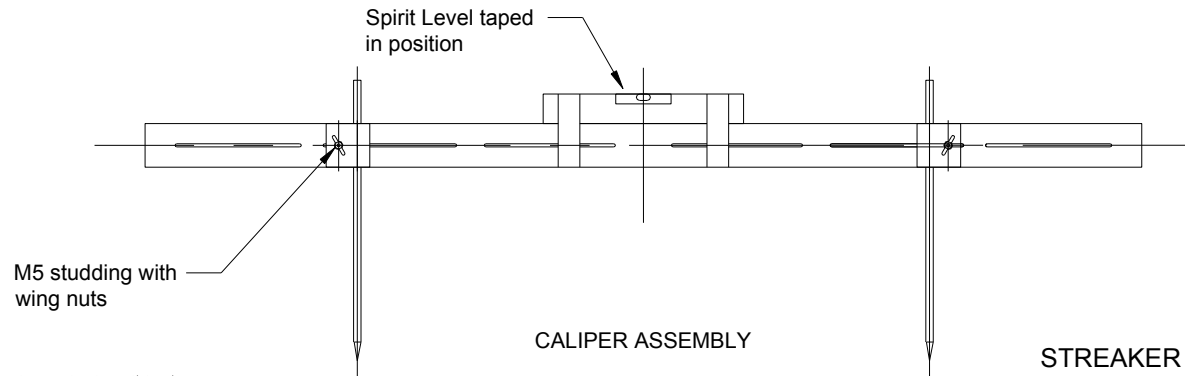
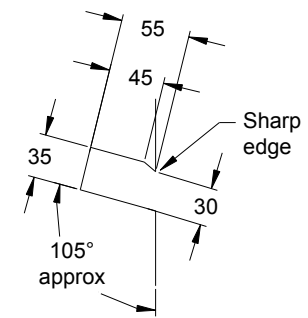
CLAMP - 2 reqd



POINTER - 2 reqd



SHEERLINE TEMPLATE



CALIPER ASSEMBLY

NOTE
Dowel rod needs to slide in clamp and wing nuts/studding to be able to tighten both to measuring beam.